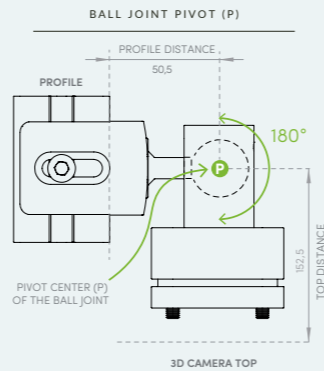
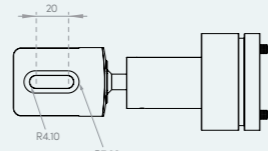
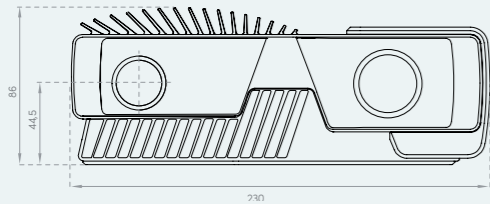
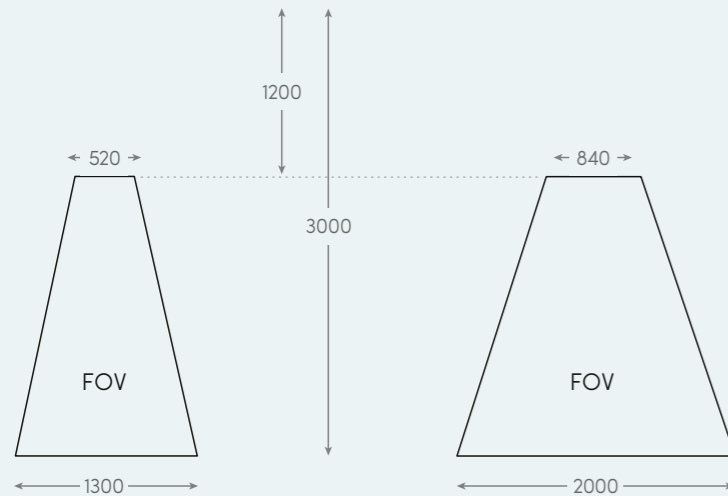
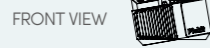
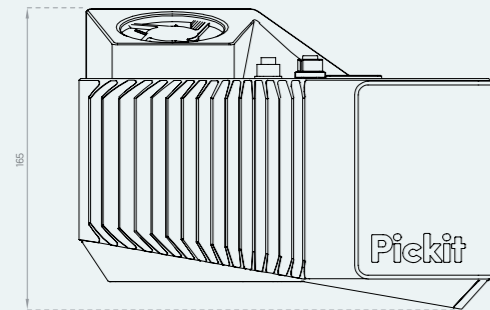


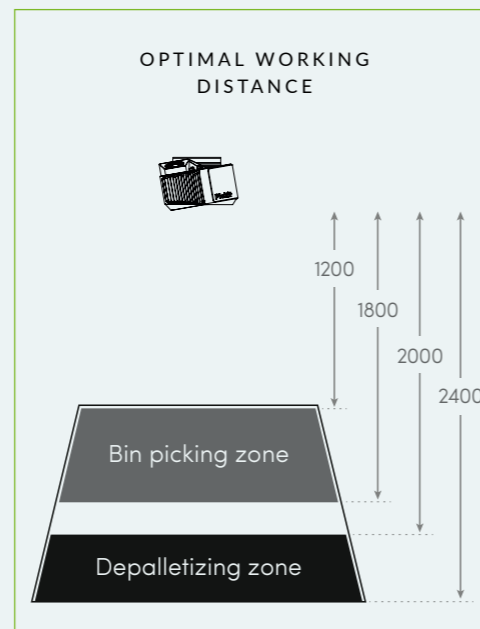
Pickit L-HD facts



L-BRACKET MOUNTS TO PROFILES



Dimensions in mm.



CAMERA TECHNICAL SPECIFICATIONS

3D measurement method	Structured light
Imaging processing speed	200-1000 ms
3D camera resolution (pixels)	1920 x 1200
3D camera precision (mm)*	0.3 - 1.6 mm
3D camera accuracy (%)	< 0.75%
3D camera accuracy (mm)**	3 - 7 mm
Estimated picking accuracy***	1.5 x 3D camera accuracy
3D camera weight	2 kg
3D camera connection to PC	M12-8 (USB) - USB3
PC connection to robot	TCP/IP over Ethernet
Power supply	M12-5 24VDC
Temperature	10°C to 40°C
IP rating	IP65
Vibrations	5G Sinus, 25G Shock
Conforms to	CE, CB, EN6950, FCC class A
Conforms to	CE, FCC

* Depends on the distance to the camera
 ** Depends on the length and width of the bin
 *** Average accuracy from the real production environment

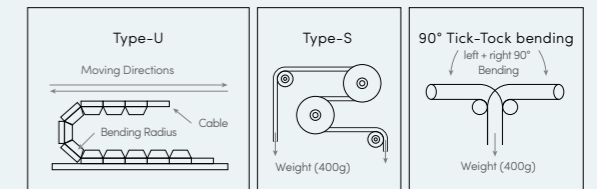


USE PICKIT WITH THE ROBOT OF YOUR CHOICE



CAMERA CABLE TECHNICAL SPECIFICATIONS

- 10m**
- High-Flex / Continuous-Flex**
- Type-U (R= 67,5mm - 5.000.000 times)
 - Type-S (R= 60mm - 1.000.000 times)
 - 90° Tick-Tock bending (R= 60mm - 1.000.000 times)



PROCESSOR

- Power consumption**
- While turned off: 5W
 - Booting: 115W
 - Idle: 70W
 - Heavy processing: 120W

- Technical specifications**
- Processor: 6 cores (12 threads) at 3.7 Ghz
 - 19 inch server: rack compatible (2U)
 - Temperature: -40°C to 85°C
 - Vibrations: Operating, 1Grms (HDDx1), Grms (SSD x 1)
 - IP rating: IP20
 - Humidity: 10-85% @ 40°C
 - Weight: 2.5 kg

