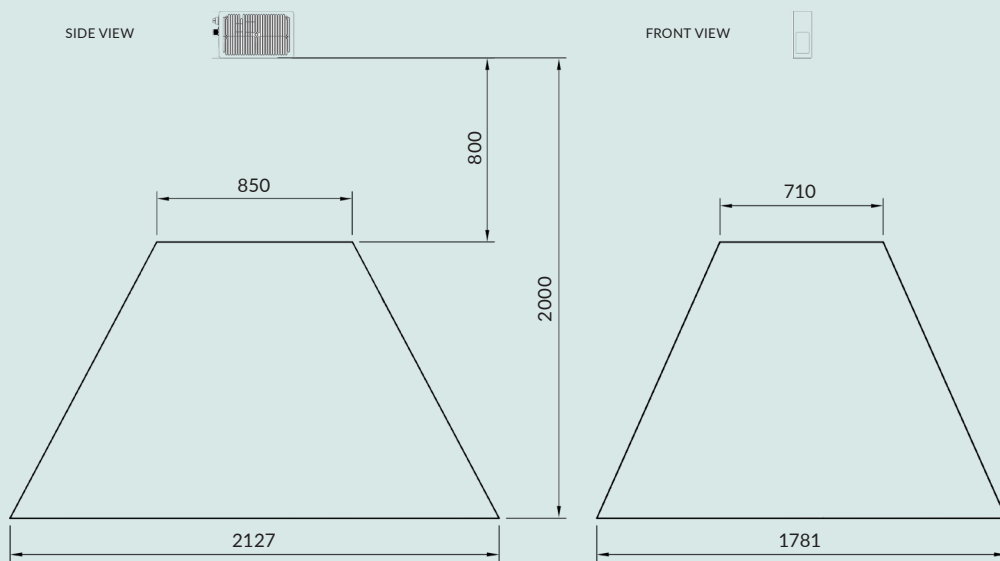
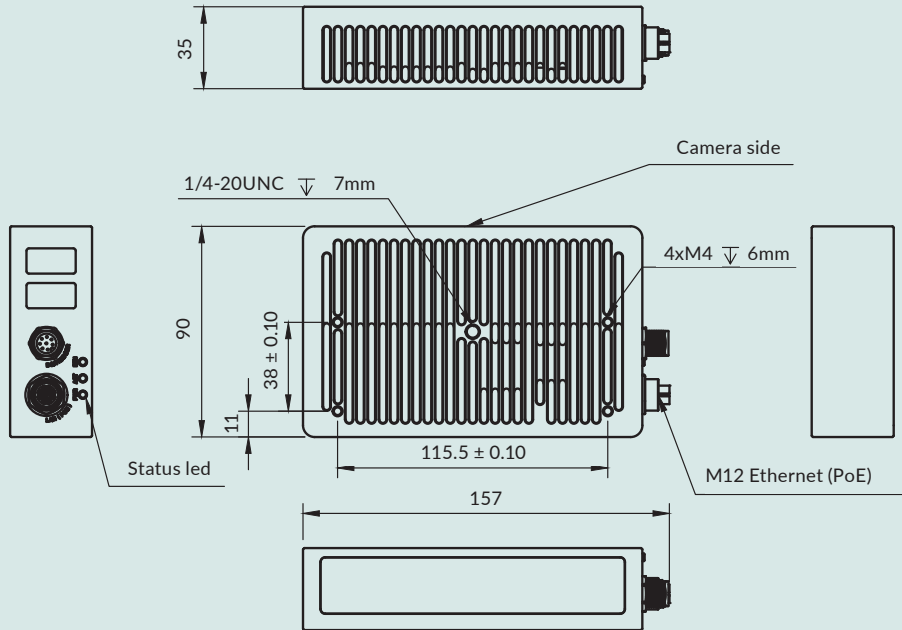


Pickit SD2 facts



Dimensions in mm.



CAMERA TECHNICAL SPECIFICATIONS

3D measurement method	Active stereo
3D image capturing time	from 400 ms
3D camera resolution(pixels)	1280x960
3D camera accuracy*	4 - 10 mm
Estimated picking accuracy**	1.5-2 x 3D camera accuracy
Working distance	800 - 2000 mm
3D camera weight	620g
3D camera connection to PC	M12-8 (Ethernet)
Power supply	IEEE802.3at PoE
Temperature Operational	-10°C to 50°C
Storage	-20°C to 55°C
IP rating	IP65
Vibrations resistance	15G sinusoidal sweep
Conforms to	CE, FCC and RoHS

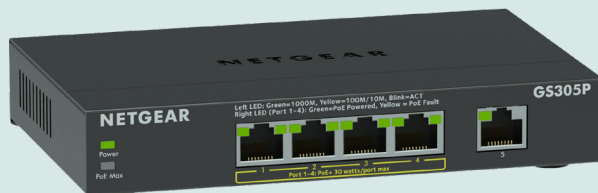
* A larger FOV has lower 3D camera accuracy
 ** Average accuracy from the real production environment



CAMERA CABLE TECHNICAL SPECIFICATIONS

5m / 10m / 25m		
High-Flex / Continuous-Flex		
<ul style="list-style-type: none"> Type-U (R= 67,5mm - 5.000.000 times) Type-S (R= 60mm - 1.000.000 times) 90° Tick-Tock bending (R= 60mm - 1.000.000 times) 		

POWER SUPPLY SPECIFICATIONS (POE SWITCH)



Features	GS305Pv2 – 5 Port Gigabit Ethernet Unmanaged Switch with 4-Port PoE+
Bandwidth (Non-Blocking)	10 Gbps
802.3af/at PoE/PoE+	4 ports
PoE Max Power Per Port	Up to 30W
PoE auto-balance	Yes
DC Input/Power	In 54V, 1.25A
Power Consumption (Max and Standby)	67.5W/ 1.4W
Energy Efficient Ethernet (EEE) IEEE 802.3az compliant	Yes
Dimensions (W x D x H)	158 x 101 x 29 mm
Weight	0.39 kg
Operating Temperature	0° to 40°C
Humidity	90% maximum relative humidity (RH), non-condensing
Certifications	CE Mark, FCC Part 15 Class B, IC Class B, RCM, VCCI, KC

USE PICKIT WITH THE ROBOT OF YOUR CHOICE

